

Serie DDTS-48

Load capacity Up to 90 kg/pair

Over extension

Cross section 34,0 x 40,0 mm

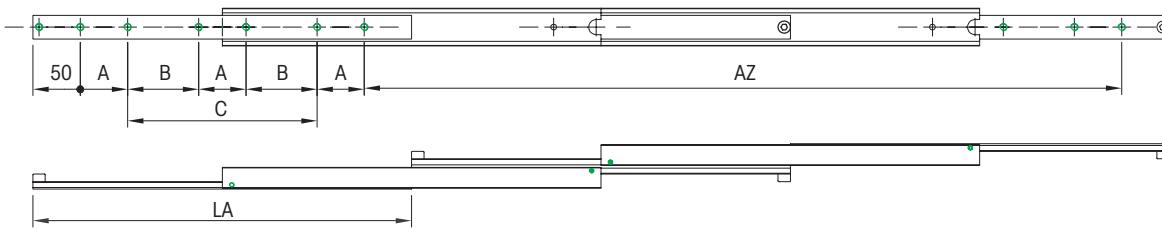
Material

Steel (C45E+C)
galvanised
milled airway

DDTS-...

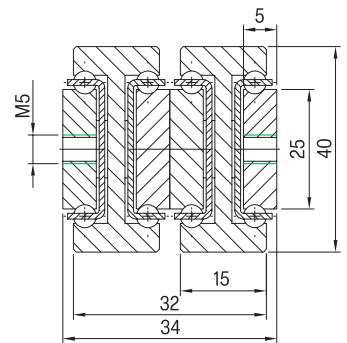
one-way extension

DDTS-48



Info:

L = Length
TP = Travel path
LC = Load capacity at
10,000 cycles
● Drill pattern



Article-Nr. DDTS-48	LC in kg 10.000	L mm	TP mm	A mm	B mm	C mm	Weight - kg/piece. DDTS-48
07000477001	70	150	300	50	-	-	1,19
07000477002	75	200	400	50	-	-	1,59
07000477003	80	250	500	50	-	50	1,98
07000476004	85	300	600	50	-	100	2,38
07000477005	90	350	700	50	-	150	2,78
07000477006	85	400	800	50	-	200	3,17
07000477007	80	450	900	50	-	250	3,57
07000477008	75	500	1000	50	-	300	3,97
07000477009	70	550	1100	50	150	-	4,36
07000477010	65	600	1200	50	175	-	4,76
07000477011	60	650	1300	50	200	-	5,15
07000477012	55	700	1400	50	225	-	5,55
07000477013	50	750	1500	50	250	-	5,95
07000477014	45	800	1600	50	275	-	6,34
07000477015	40	850	1700	50	300	-	6,74
07000477016	35	900	1800	50	325	-	7,14
07000477017	30	950	1900	50	350	-	7,53
07000477018	20	1000	2000	50	375	-	7,93