

Serie DDTs-50

Load capacity Up to 240 kg/pair

Over extension

Cross section 60,0 x 50,0 mm

Material

Steel (C45E+C)
galvanised
milled airway

DDTS-...

one-way extension

DDTS-50

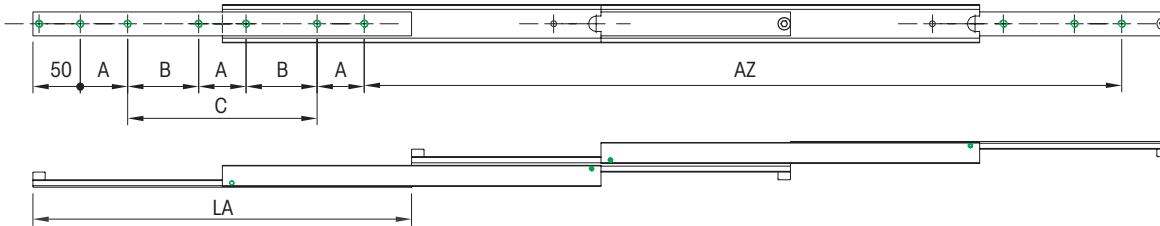
Info:

L = Length

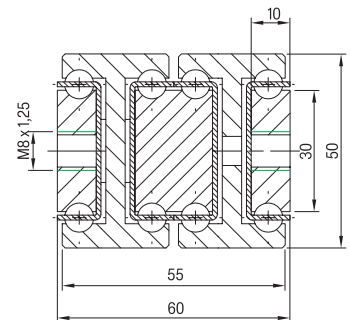
TP = Travel path

LC = Load capacity at
10,000 cycles

 Drill pattern



SCHOCK
TELESCOPIC SLIDES



Article-Nr. DDTS-50	Price €/netto	LC in kg 10.000	L mm	TP mm	A mm	B mm	C mm	Weight - kg/piece. DDTS-50
07000478001	327,10	190	200	400	50	-	-	3,56
07000478002	351,74	195	250	500	50	-	50	4,45
07000478003	376,39	200	300	600	50	-	100	5,34
07000478004	401,04	210	350	700	50	-	150	6,23
07000478005	425,69	220	400	800	50	-	200	7,12
07000478006	450,33	225	450	900	50	-	250	8,01
07000478007	474,99	230	500	1000	50	-	300	8,90
07000478008	499,63	235	550	1100	50	150	-	9,79
07000478009	524,28	240	600	1200	50	175	-	10,68
07000478010	548,93	232	650	1300	50	200	-	11,57
07000478011	573,57	225	700	1400	50	225	-	12,46
07000478012	598,23	218	750	1500	50	250	-	13,35
07000478013	622,87	210	800	1600	50	275	-	14,24
07000478014	627,74	195	850	1700	50	300	-	15,13
07000478015	651,28	182	900	1800	50	325	-	16,02
07000478016	674,80	172	950	1900	50	350	-	16,91
07000478017	698,34	160	1000	2000	50	375	-	17,80
07000478018	721,86	155	1050	2100	50	400	-	18,69
07000478019	745,38	150	1100	2200	50	425	-	19,58
...	-	...
07000478029	980,67	100	1600	3200	50	675	-	28,48

Serie DDTS-50

Load capacity Up to 240 kg/pair

Over extension

Cross section 60,0 x 50,0 mm

Article-Nr. DDTS-50		LC in kg 10.000	L mm	TP mm	A mm	B mm	C mm	Weight - kg/piece. DDTS-50	
07000478001		190	200	400	50	-	-	3,56	
07000478002		195	250	500	50	-	50	4,45	
07000478003		200	300	600	50	-	100	5,34	
07000478004		210	350	700	50	-	150	6,23	
07000478005		220	400	800	50	-	200	7,12	
07000478006		225	450	900	50	-	250	8,01	
07000478007		230	500	1000	50	-	300	8,90	
07000478008		235	550	1100	50	150	-	9,79	
07000478009		240	600	1200	50	175	-	10,68	
07000478010		232	650	1300	50	200	-	11,57	
07000478011		225	700	1400	50	225	-	12,46	
07000478012		218	750	1500	50	250	-	13,35	
07000478013		210	800	1600	50	275	-	14,24	
07000478014		195	850	1700	50	300	-	15,13	
07000478015		182	900	1800	50	325	-	16,02	
07000478016		172	950	1900	50	350	-	16,91	
07000478017		160	1000	2000	50	375	-	17,80	
07000478018		155	1050	2100	50	400	-	18,69	
07000478019		150	1100	2200	50	425	-	19,58	
07000478020		145	1150	2300	50	450	-	20,47	
07000478021		140	1200	2400	50	475	-	21,36	
07000478022		135	1250	2500	50	500	-	22,25	
07000478023		130	1300	2600	50	525	-	23,14	
07000478024		125	1350	2700	50	550	-	24,03	
07000478025		120	1400	2800	50	575	-	24,92	
07000478026		115	1450	2900	50	600	-	25,81	
07000478027		110	1500	3000	50	625	-	26,70	
07000478028		105	1550	3100	50	650	-	27,59	
07000478029		100	1600	3200	50	675	-	28,48	