

# Vollauszug Serie DTSB-110

Full extension series DTSB-110



- Tragkraft bis zu 1800 kg
- Auszugsweg 100%

**Werkstoffe und Oberflächen:**

- Schienen: Kaltgewalzter Kohlenstoffstahl C45E+C, - EN 10277, gefräste Laufbahnen.
- Kugelkäfige: Verzinktes Stahlblech
- Kugeln: Verchromt C85 G100: DIN 5401

**Temperaturbereich:**

- Einsatztemperatur -40°C bis +200°C

- Load capacity up to 1800 kg
- Extension path 100%

**Materials and surfaces:**

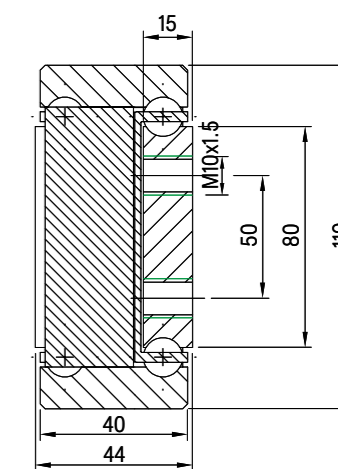
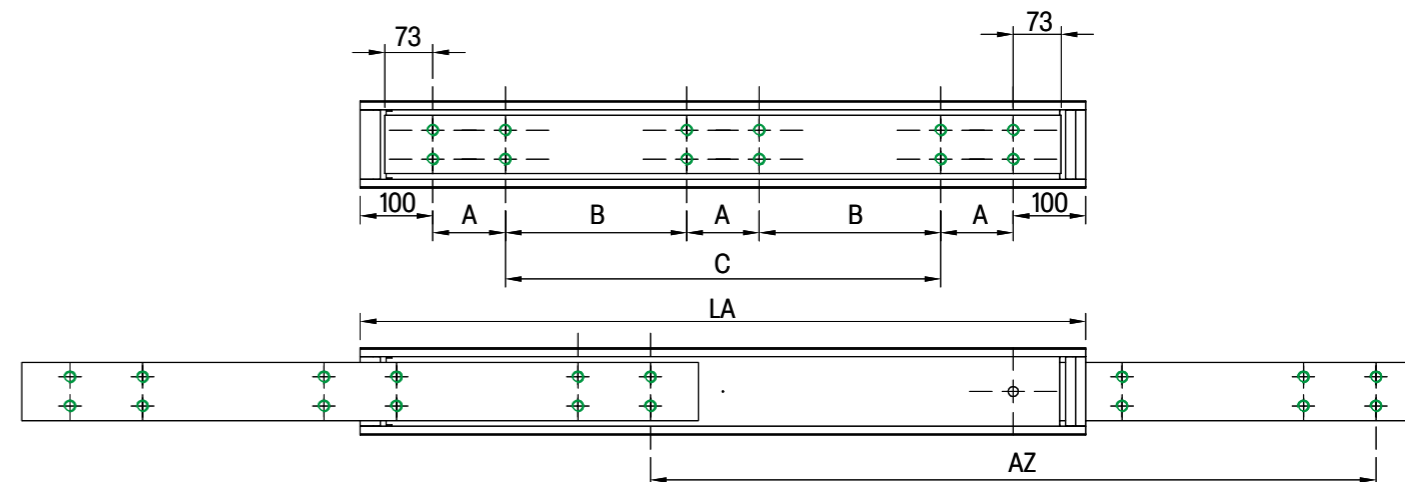
- Beams: Cold drawn carbon steel C45E+C, - EN 10277, milled raceways.
- Ball cage: Zink plated sheet steel
- Ball bearings: Chromed C85,G100: DIN 5401
- End Bolts: ASTM A307

**Temperature range:**

- Operating temperature -40°C to +200°C



## DTSB-110



Die Tragfähigkeit im horizontalem Einbau reduziert sich um 60-80%.

Flat mounted slide load capacities are reduced between 60-80%

# DTSB-110

| Artikel-Nr.<br>SToxparts | LA<br>mm | AZ<br>mm | TK in kg<br>10.000 | A<br>mm | B<br>mm | C<br>mm | Gewicht   weight<br>kg/St.   kg/pcs. |
|--------------------------|----------|----------|--------------------|---------|---------|---------|--------------------------------------|
| 07000492001              | 300      | 300      | 1430               | 50      | -       | -       | 9,25                                 |
| 07000492002              | 350      | 350      | 1485               | 50      | -       | 50      | 10,81                                |
| 07000492003              | 400      | 400      | 1540               | 50      | -       | 100     | 12,36                                |
| 07000492004              | 450      | 450      | 1595               | 50      | -       | 150     | 13,92                                |
| 07000492005              | 500      | 500      | 1650               | 50      | -       | 200     | 15,47                                |
| 07000492006              | 550      | 550      | 1700               | 50      | -       | 250     | 17,03                                |
| 07000492007              | 600      | 600      | 1740               | 50      | -       | 300     | 18,59                                |
| 07000492008              | 650      | 650      | 1780               | 50      | 150     | -       | 20,14                                |
| 07000492009              | 700      | 700      | 1800               | 50      | 175     | -       | 21,70                                |
| 07000492010              | 750      | 750      | 1780               | 50      | 200     | -       | 23,25                                |
| 07000492011              | 800      | 800      | 1760               | 100     | 150     | -       | 24,81                                |
| 07000492012              | 850      | 850      | 1730               | 100     | 175     | -       | 26,36                                |
| 07000492013              | 900      | 900      | 1690               | 100     | 200     | -       | 27,92                                |
| 07000492014              | 950      | 950      | 1660               | 100     | 225     | -       | 29,47                                |
| 07000492015              | 1000     | 1000     | 1630               | 100     | 250     | -       | 31,03                                |
| 07000492016              | 1050     | 1050     | 1600               | 100     | 275     | -       | 32,58                                |
| 07000492017              | 1100     | 1100     | 1560               | 100     | 300     | -       | 34,13                                |
| 07000492018              | 1150     | 1150     | 1530               | 100     | 325     | -       | 35,68                                |
| 07000492019              | 1200     | 1200     | 1500               | 100     | 350     | -       | 37,24                                |
| 07000492020              | 1250     | 1250     | 1470               | 100     | 375     | -       | 38,79                                |
| 07000492021              | 1300     | 1300     | 1440               | 100     | 400     | -       | 40,34                                |
| 07000492022              | 1350     | 1350     | 1400               | 100     | 425     | -       | 41,89                                |
| 07000492023              | 1400     | 1400     | 1360               | 100     | 450     | -       | 43,44                                |
| 07000492024              | 1450     | 1450     | 1320               | 100     | 475     | -       | 44,99                                |
| 07000492025              | 1500     | 1500     | 1280               | 100     | 500     | -       | 46,55                                |
| 07000492026              | 1550     | 1550     | 1240               | 100     | 525     | -       | 48,10                                |
| 07000492027              | 1600     | 1600     | 1200               | 100     | 550     | -       | 49,65                                |
| 07000492028              | 1650     | 1650     | 1160               | 100     | 575     | -       | 51,20                                |
| 07000492029              | 1700     | 1700     | 1100               | 100     | 600     | -       | 52,75                                |
| 07000492030              | 1750     | 1750     | 1060               | 100     | 625     | -       | 54,30                                |
| 07000492031              | 1800     | 1800     | 1000               | 100     | 650     | -       | 55,85                                |
| 07000492032              | 1850     | 1850     | 960                | 100     | 675     | -       | 57,41                                |
| 07000492033              | 1900     | 1900     | 910                | 100     | 700     | -       | 58,96                                |
| 07000492034              | 1950     | 1950     | 860                | 100     | 725     | -       | 60,51                                |
| 07000492035              | 2000     | 2000     | 800                | 100     | 750     | -       | 62,06                                |
| 07000492036              | 2100     | 2100     | 720                | 100     | 800     | -       | 65,16                                |
| 07000492037              | 2200     | 2200     | 680                | 100     | 850     | -       | 68,27                                |
| 07000492038              | 2300     | 2300     | 600                | 100     | 900     | -       | 71,37                                |
| 07000492039              | 2400     | 2400     | 540                | 100     | 950     | -       | 74,47                                |
| 07000492040              | 2500     | 2500     | 480                | 100     | 1000    | -       | 77,58                                |
| 07000492041              | 2600     | 2600     | 400                | 100     | 1050    | -       | 80,68                                |
| 07000492042              | 2700     | 2700     | 340                | 100     | 1100    | -       | 83,78                                |
| 07000492043              | 2800     | 2800     | 280                | 100     | 1150    | -       | 86,88                                |
| 07000492044              | 2900     | 2900     | 220                | 100     | 1200    | -       | 89,99                                |
| 07000492045              | 3000     | 3000     | 160                | 100     | 1250    | -       | 93,09                                |

## Hinweise | Notes:

LA = Länge | Length, AZ = Auszugsweg | Move-out path, TK = Tragkraft | Load capacity |

 Bohrbild / Hole pattern